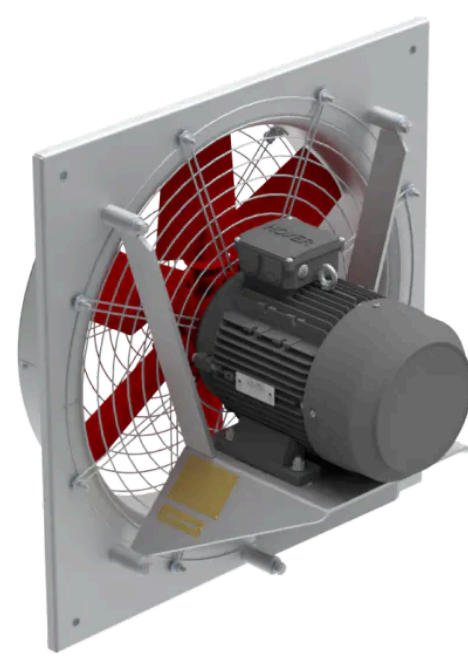



Axial fans

MPV A1B

The MPV A1B is a medium pressure axial fan designed for wall mounting. It has an inlet cone for smaller pressure drop and better performance.



 Standard sizes
250 – 1.120
mm

 Air flow
0 – 200.000
m3/h

 Static pressure
0 – 1.600 Pa

 Engine power
0 – 200kW

Summary

Design

The MPV-A1B is made in heavy duty design, for industry, mining, marine and offshore applications. Spark proof execution is also available.

Wire guard is standard.

Execution

Fan frame and motor pedestal are made of steel and are hot dip galvanized.

It can also be made in stainless steel (AISI 316) or aluminum.

Impeller

The impeller is designed for high efficiency and low noise.

Impellers are either made in sea water resistant aluminium or reinforced polypropylene with customized pitch.

Motor

The motors are as standard squirrel-cage induction motors in marine execution. Motors are IP55 and insulation class F as standard.

Motors are as a standard delivered ready for frequency converter.

The fans can also be equipped with EX motors class Exe (increased safety), Exd or Exde (explosion-/flameproof) or EXN motor.

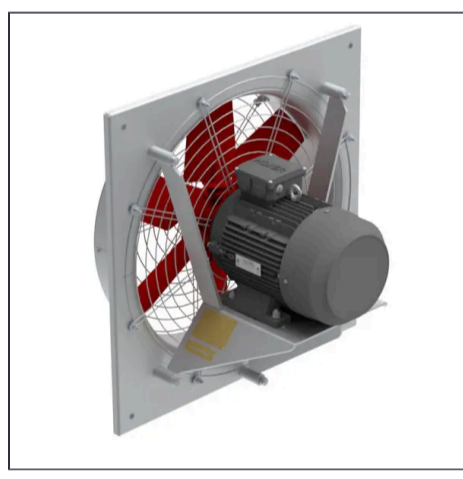
Customizations

- Thick casing: 6,8 or 10mm thickness
- Spark proof execution
- Special bolt division circle

Accessories

Vibration monitoring of motor (on motor or outside casing)

Gallery



Downloads

Documentation

Detailed specifications



Drawings