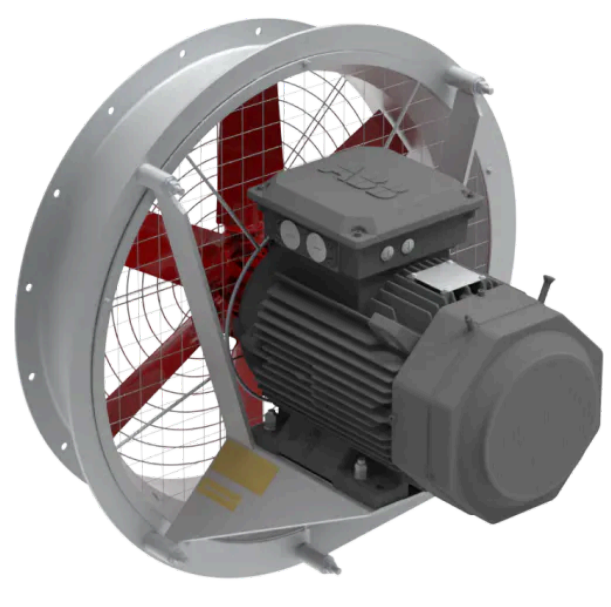


Axial fans

# MPV A1E

The MPV A1E is a medium pressure axial fan designed for duct or duct end connection. The fans are with short casing and inlet cone for better performance. The motor is outside of the casing for easy accessibility.



Standard sizes  
250 – 1.120  
mm

Air flow  
0 – 200.000  
m3/h

Static pressure  
0 – 1.600 Pa

Engine power  
0 – 200kW

## Summary

---

### Design

The MPV-A1E is made in heavy duty design, for industry, mining, marine and offshore applications. Spark proof execution is also available.

The fan can be equipped with guide vanes (MPV D1E) for increased pressure and efficiency.

Wire guard is standard.

### Execution

Fan frame and motor pedestal are made of steel and are hot dip galvanized.

It can also be made in stainless steel (AISI 316) or aluminum.

### Impeller

The impeller is designed for high efficiency and low noise.

Impellers are either made in sea water resistant aluminium or reinforced polypropylene with customized pitch.

### Motor

The motors are as standard squirrel-cage induction motors in marine execution. Motors are IP55 and insulation class F as standard.

Motors are as a standard delivered ready for frequency converter.

The fans can also be equipped with EX motors class Exe (increased safety), Exd or Exde (explosion-/flameproof) or EXN motor.

### Customizations

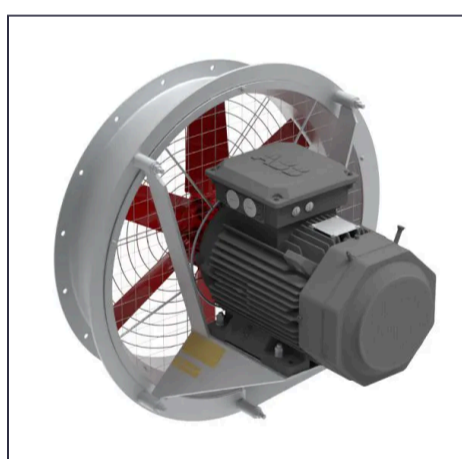
- Thick casing: 6,8 or 10mm thickness
- Spark proof execution
- Special bolt division circle
- Guide vanes

### Accessories

- Counter flanges
- Foundation
- Flexible connection
- Vibration monitoring of motor

## Gallery

---



## Downloads

---

### Documentation

[Detailed specifications](#)



### Drawings